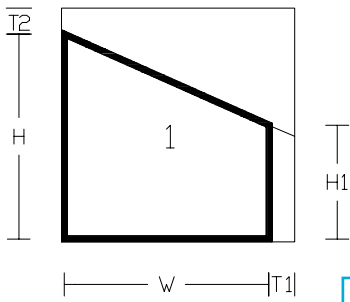
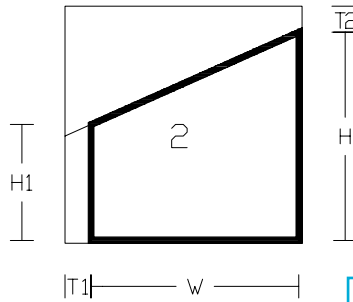


1



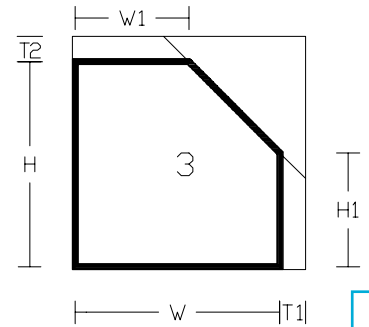
$H1 < H$   
 $H1 > 0$   
 $W > 0$

2



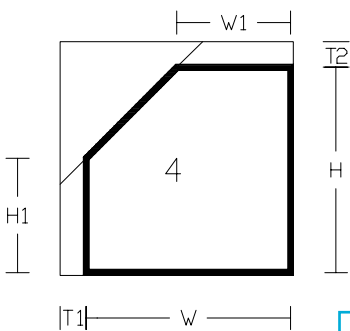
$H1 < H$   
 $H1 > 0$   
 $W > 0$

3



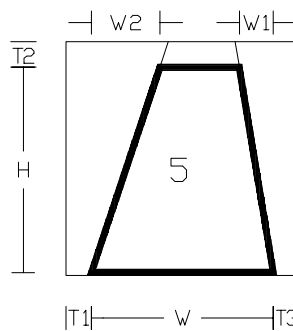
$H1 < H$   
 $W1 < W$   
 $H1 > 0$   
 $W1 > 0$

4



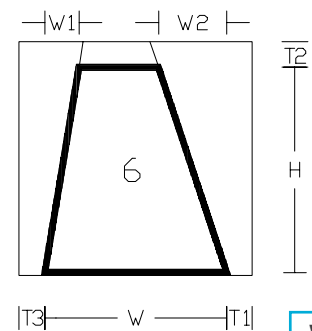
$H1 < H$   
 $W1 < W$   
 $H1 > 0$   
 $W1 > 0$

5



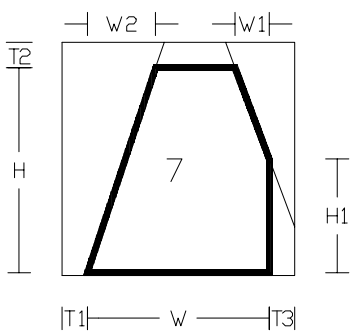
$W2 + W1 \leq W$   
 $H > 0$   
 $W1 > 0$   
 $W2 > 0$

6



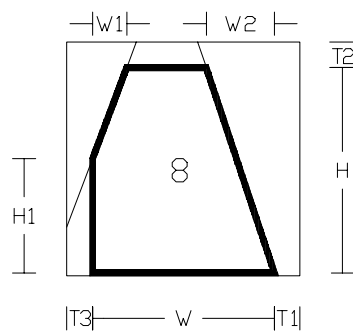
$W2 + W1 \leq W$   
 $H > 0$   
 $W1 > 0$   
 $W2 > 0$

7



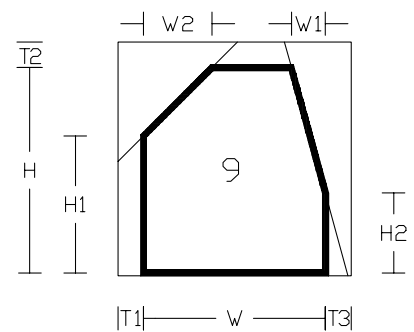
$W2 + W1 \leq W$   
 $H1 < H$   
 $H1 > 0$   
 $W1 > 0$   
 $W2 > 0$

8

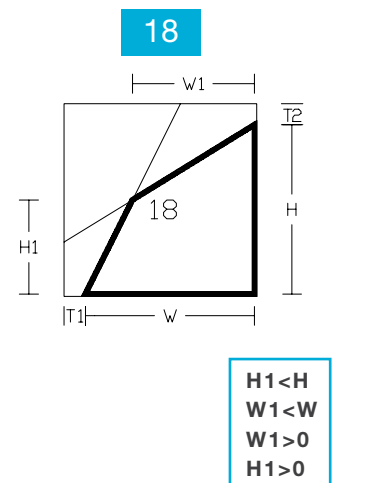
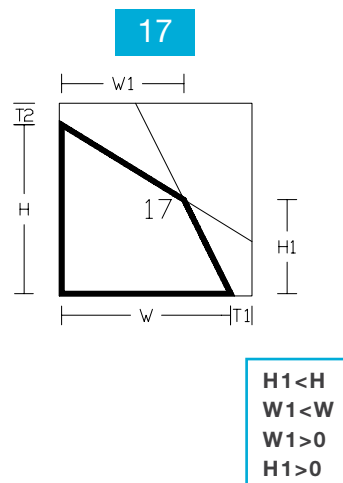
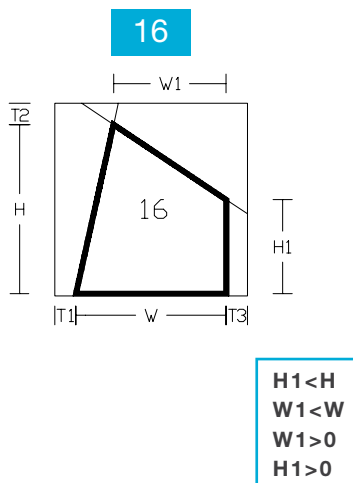
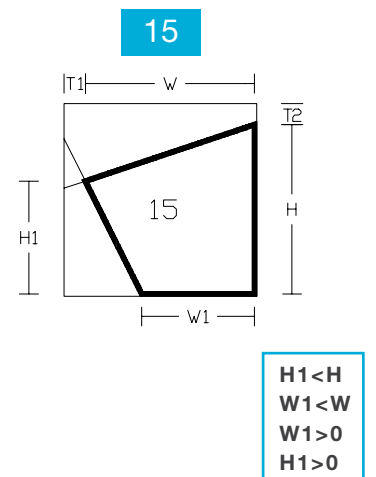
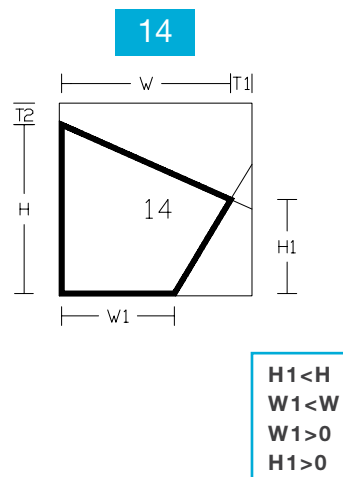
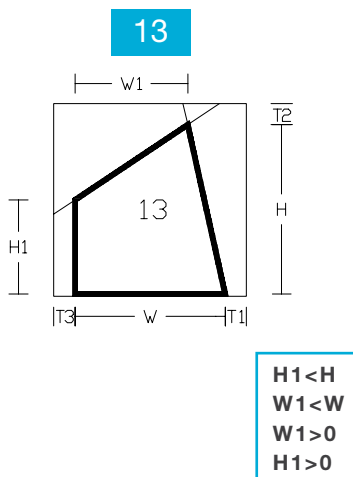
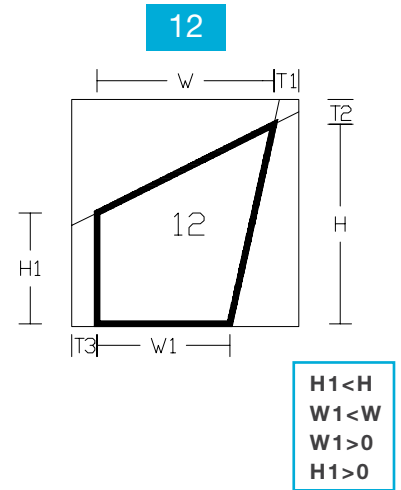
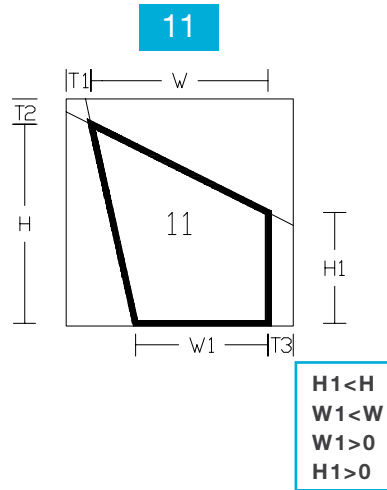
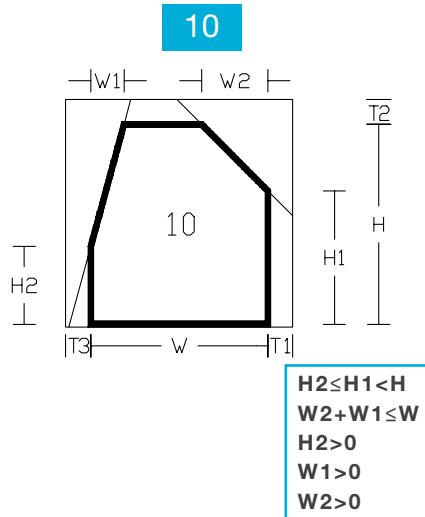


$W2 + W1 \leq W$   
 $H1 < H$   
 $H1 > 0$   
 $W1 > 0$   
 $W2 > 0$

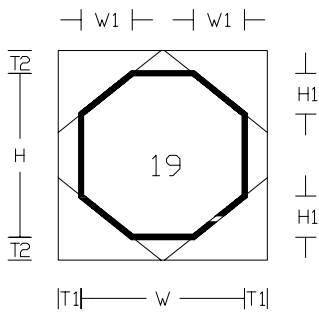
9



$H2 \leq H1 < H$   
 $W2 + W1 \leq W$   
 $H2 > 0$   
 $W1 > 0$   
 $W2 > 0$

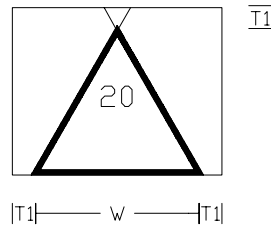


19



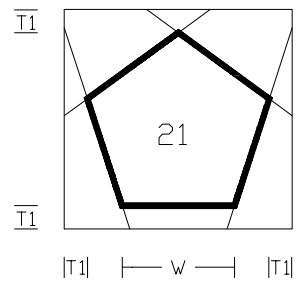
$$\begin{aligned} 2 \cdot H1 < W \\ 2 \cdot W1 < W \\ H1 > 0 \\ W1 > 0 \end{aligned}$$

20



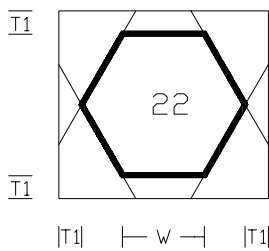
$$W > 0$$

21



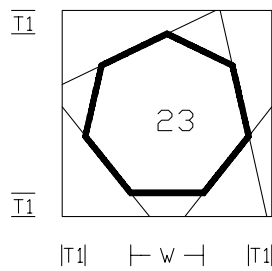
$$W > 0$$

22



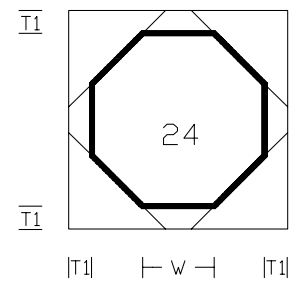
$$W > 0$$

23



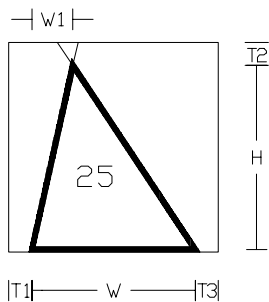
$$W > 0$$

24



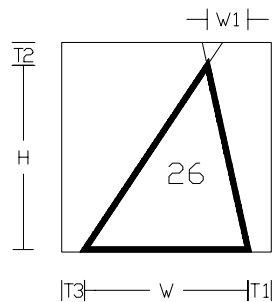
$$W > 0$$

25



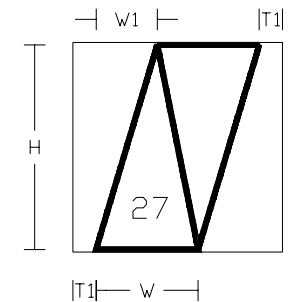
$$\begin{aligned} H > 0 \\ W > 0 \\ W1 > 0 \end{aligned}$$

26



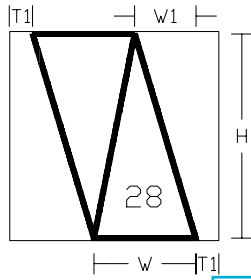
$$\begin{aligned} H > 0 \\ W > 0 \\ W1 > 0 \end{aligned}$$

27



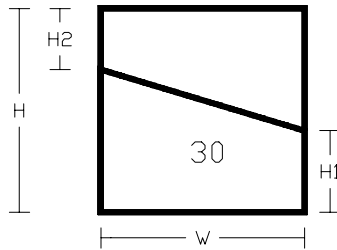
$$\begin{aligned} H > 0 \\ W > 0 \\ W1 > 0 \end{aligned}$$

28



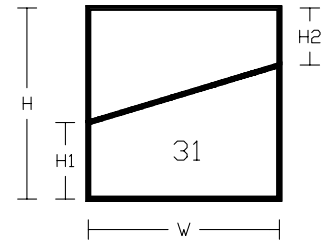
$H > 0$   
 $W > 0$   
 $W1 > 0$

30



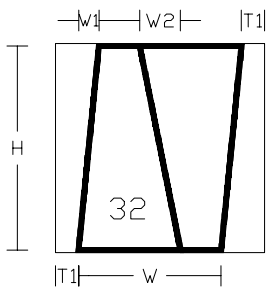
$H > H1 + H2$   
 $W > 0$   
 $H1 > 0$   
 $H2 > 0$

31



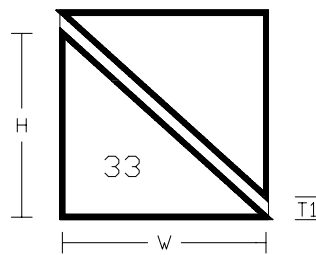
$H > H1 + H2$   
 $W > 0$   
 $H1 > 0$   
 $H2 > 0$

32



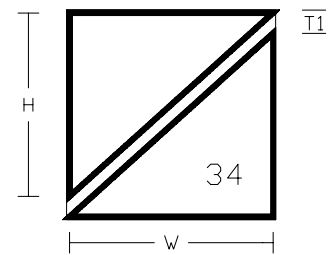
$W2 + 2 * W1 \leq W$   
 $W > 0$   
 $H > 0$   
 $W1 > 0$   
 $W2 > 0$

33



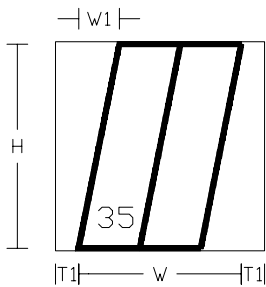
$W > 0$   
 $H > 0$

34



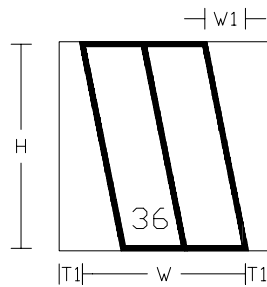
$W1 < W$   
 $W1 > 0$   
 $H > 0$

35



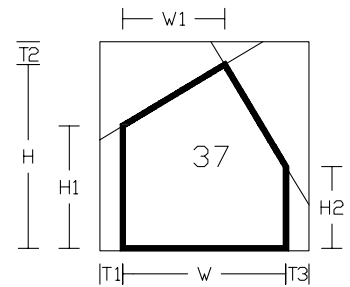
$W1 < W$   
 $W1 > 0$   
 $H > 0$

36

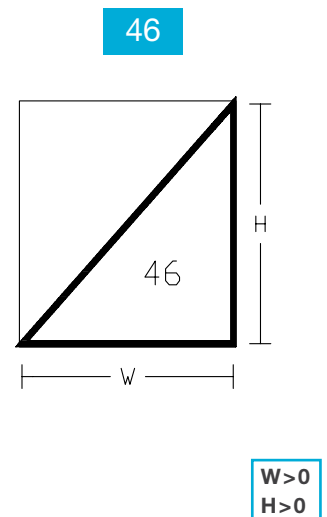
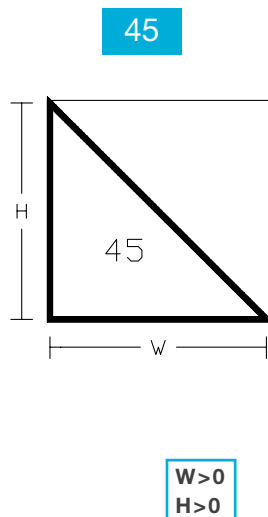
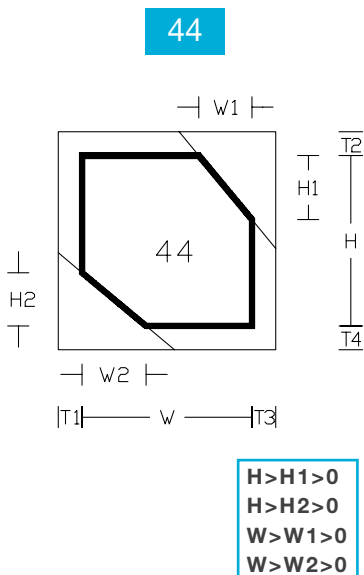
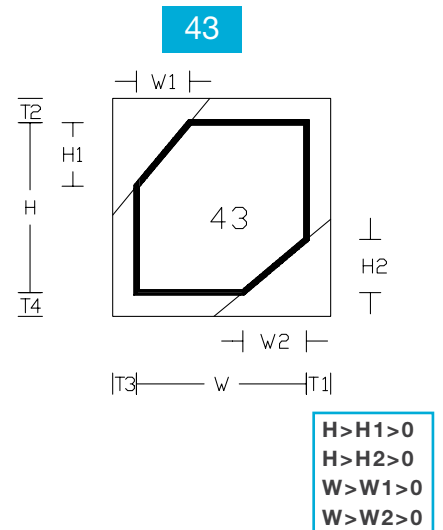
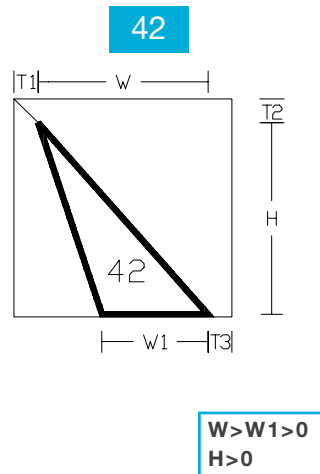
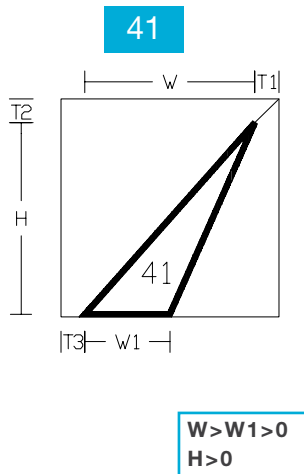
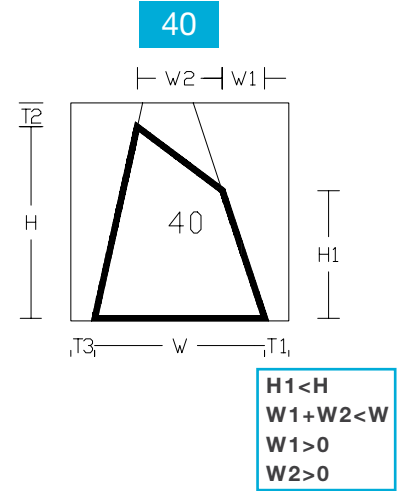
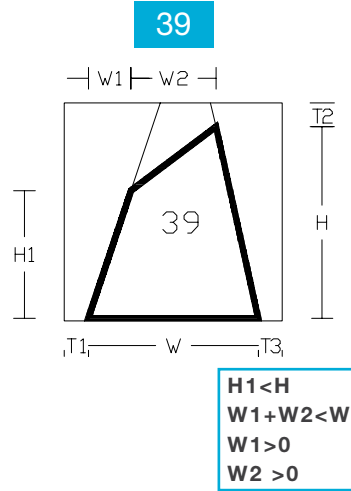
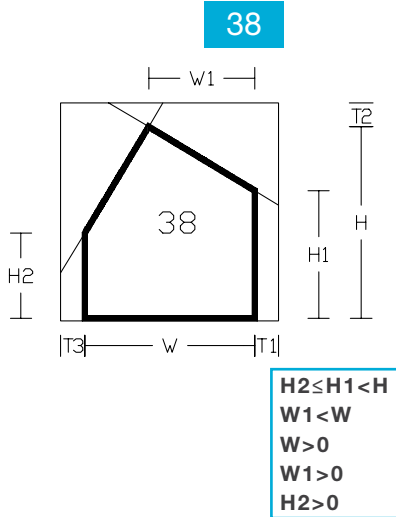


$W1 < W$   
 $W1 > 0$   
 $H > 0$

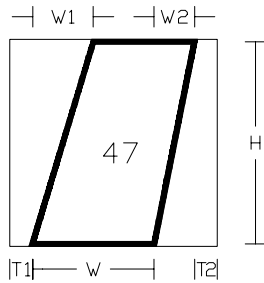
37



$H2 \leq H1 < H$   
 $W1 < W$   
 $W > 0$   
 $W1 > 0$   
 $H2 > 0$

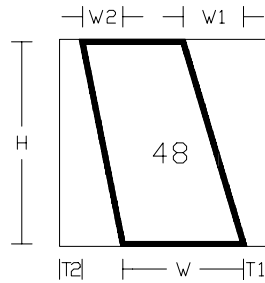


47



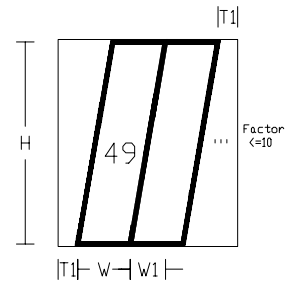
$W > 0$   
 $H > 0$   
 $W1 \geq 0$   
 $W2 \geq 0$   
 $W + W2 > W1$

48



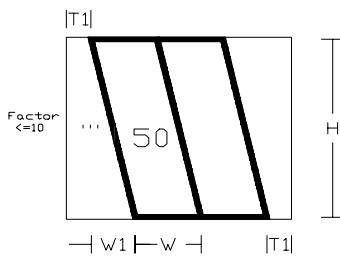
$W > 0$   
 $H > 0$   
 $W1 \geq 0$   
 $W2 \geq 0$   
 $W + W2 > W1$

49



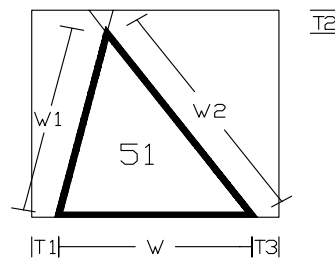
$W > 0$   
 $H > 0$   
 $W1 > 0$   
Factor > 0

50



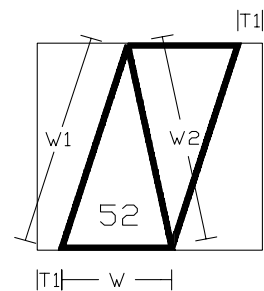
$W > 0$   
 $H > 0$   
 $W1 > 0$   
Factor > 0

51



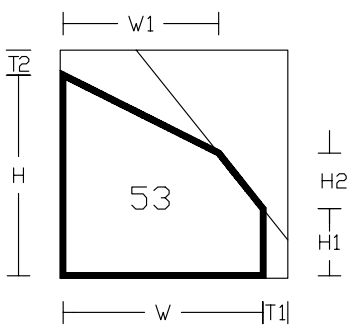
$W1 \leq \sqrt{W^2 + W2^2}$   
 $W2 \leq \sqrt{W^2 + W1^2}$

52



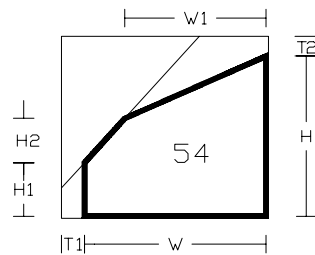
$W1 \leq \sqrt{W^2 + W2^2}$   
 $W2 \leq \sqrt{W^2 + W1^2}$

53



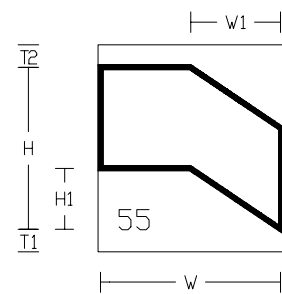
$H1 > 0$   
 $H2 > 0$   
 $H > H1 + H2 > 0$   
 $W > W1 > 0$

54



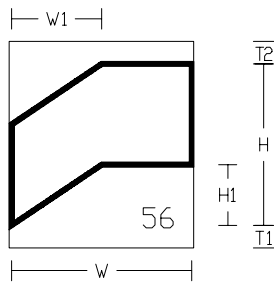
$H1 > 0$   
 $H2 > 0$   
 $H > H1 + H2 > 0$   
 $W > W1 > 0$

55



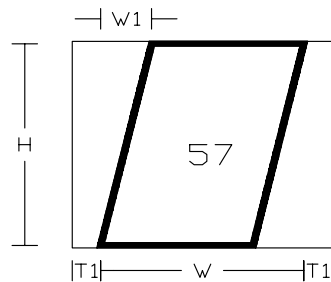
$H1 > 0$   
 $H2 > 0$   
 $H > H1 > 0$   
 $W > W1 > 0$

56



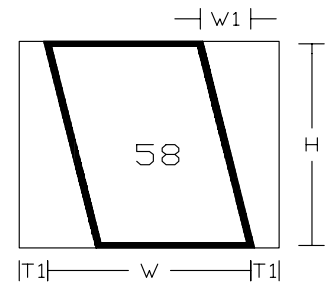
$H1 > 0$   
 $H2 > 0$   
 $H > H1 > 0$   
 $W > W1 > 0$

57



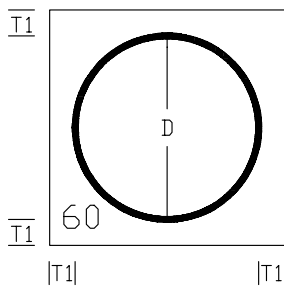
$W1 > 0$

58



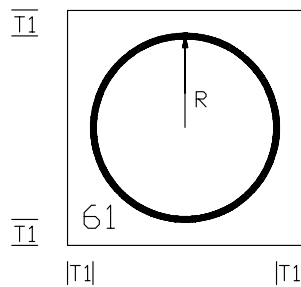
$W1 > 0$

60



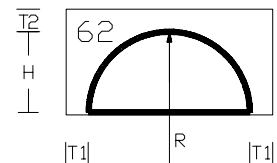
$W1 > 0$

61



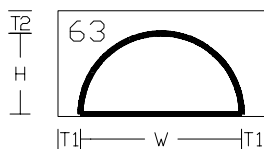
$R > 0$

62



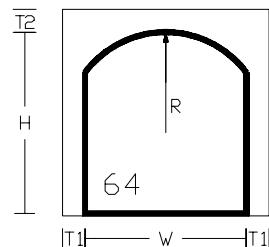
$H \leq R$   
 $H > 0$

63



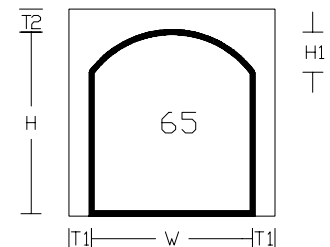
$2 * H \leq W$   
 $H > 0$

64



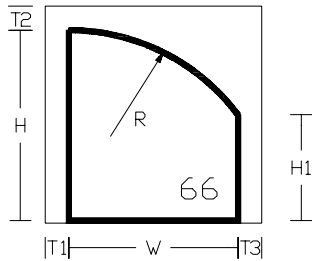
$W \leq 2 * R$   
 $R - \sqrt{R^2 - \frac{W^2}{4}} < H$   
 $R - \sqrt{R^2 - \frac{W^2}{4}} > 0$

65



$2 * H1 \leq W$   
 $H1 < H$   
 $H1 > 0$

66



$$H1 < H$$

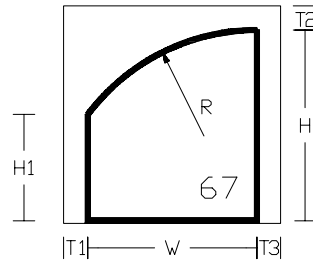
$$\sqrt{W^2 + (H - H1)^2} \leq 2 * R$$

$$W > 0$$

$$H1 > 0$$

$$R > 0$$

67



$$H1 < H$$

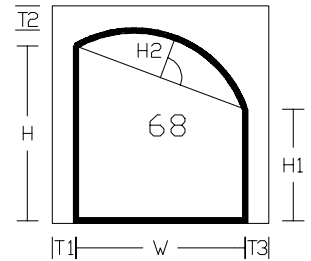
$$\sqrt{W^2 + (H - H1)^2} \leq 2 * R$$

$$W > 0$$

$$H1 > 0$$

$$R > 0$$

68



$$H1 < H$$

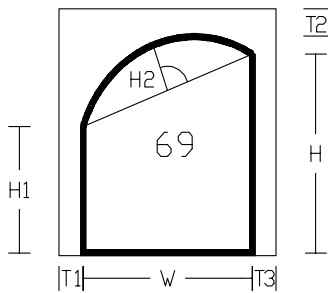
$$2 * H2 \leq \sqrt{W^2 + (H - H1)^2}$$

$$H2 > 0$$

$$H1 > 0$$

$$W > 0$$

69



$$H1 < H$$

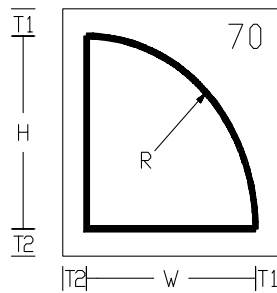
$$2 * H2 \leq \sqrt{W^2 + (H - H1)^2}$$

$$H2 > 0$$

$$H1 > 0$$

$$W > 0$$

70

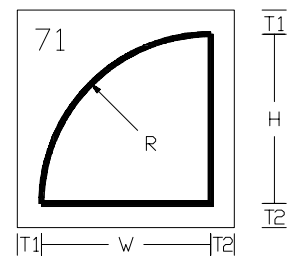


$$\sqrt{W^2 + H^2} \leq 2 * R$$

$$H > 0$$

$$W > 0$$

71

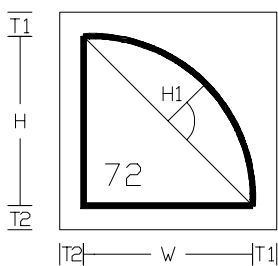


$$\sqrt{W^2 + H^2} \leq 2 * R$$

$$H > 0$$

$$W > 0$$

72



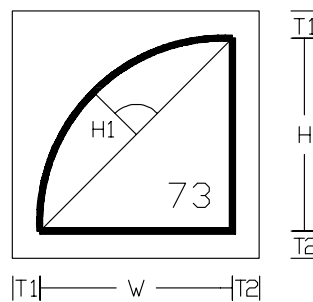
$$2 * H1 \leq \sqrt{W^2 + H^2}$$

$$W > 0$$

$$H > 0$$

$$H1 > 0$$

73



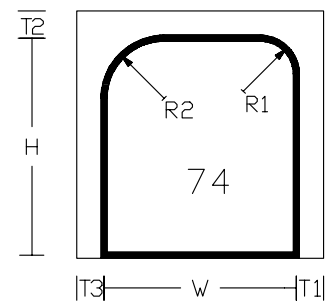
$$2 * H1 \leq \sqrt{W^2 + H^2}$$

$$W > 0$$

$$H > 0$$

$$H1 > 0$$

74



$$R1 \leq H$$

$$R2 \leq H$$

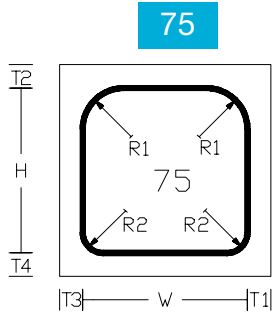
$$R1 + R2 \leq W$$

$$R1 > 0$$

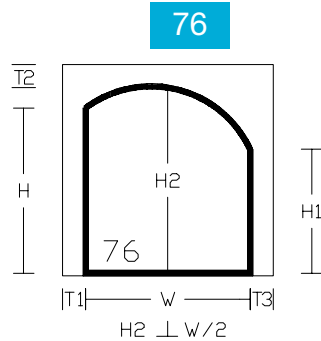
$$R2 > 0$$

$$W > 0$$

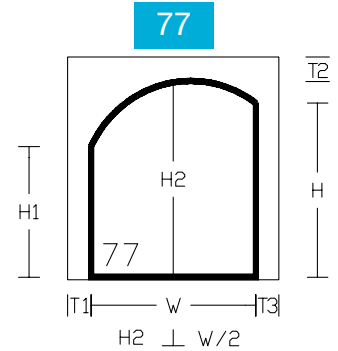




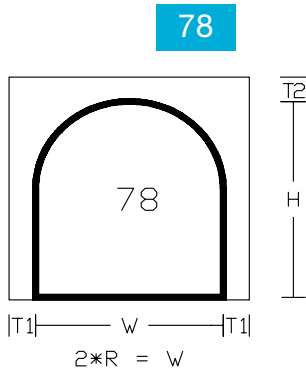
$$\begin{aligned} 2 * R1 &\leq W \\ 2 * R2 &\leq W \\ R1 + R2 &\leq H \\ R1 &> 0 \\ R2 &> 0 \end{aligned}$$



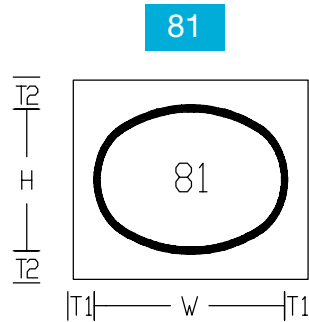
$$\begin{aligned} H &> H1 \\ H2 &> \frac{(H+H1)}{2} \\ H1 &> 0 \\ W &> 0 \end{aligned}$$



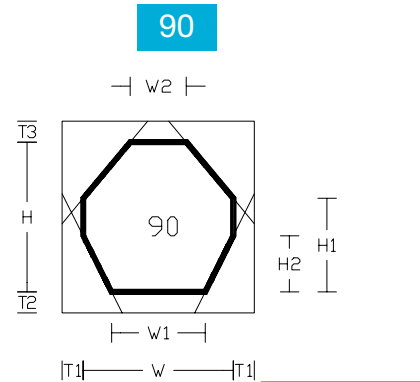
$$\begin{aligned} H &> H1 \\ H2 &> \frac{(H+H1)}{2} \\ H1 &> 0 \\ W &> 0 \end{aligned}$$



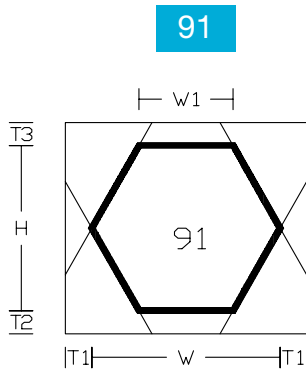
$$\begin{aligned} H &> 0 \\ W &> 0 \\ H &> \frac{W}{2} \end{aligned}$$



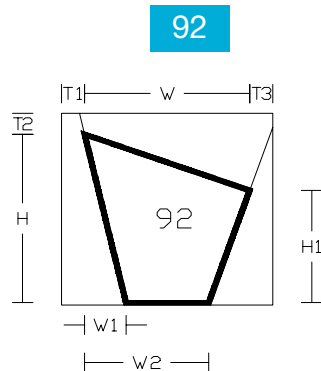
$$\begin{aligned} H &< W < 10 * H \\ H &> 0 \end{aligned}$$



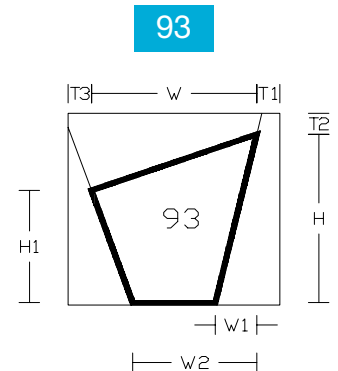
$$\begin{aligned} W &> W1 > 0 \\ W2 &> 0 \\ H &> H1 > H2 > 0 \end{aligned}$$



$$\begin{aligned} W &> W1 > 0 \\ H &> 0 \end{aligned}$$

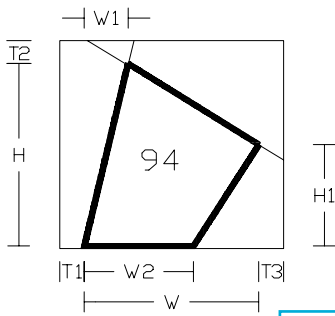


$$\begin{aligned} W &\geq W2 \\ W1 &\geq 0 \\ W2 &> W \\ H &\geq H1 > 0 \end{aligned}$$



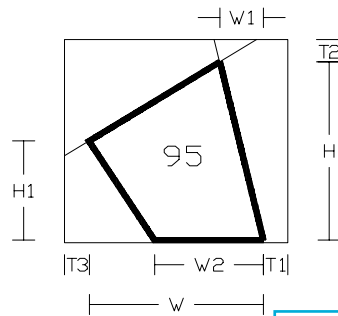
$$\begin{aligned} W &\geq W2 \\ W1 &\geq 0 \\ W2 &> W \\ H &\geq H1 > 0 \end{aligned}$$

94



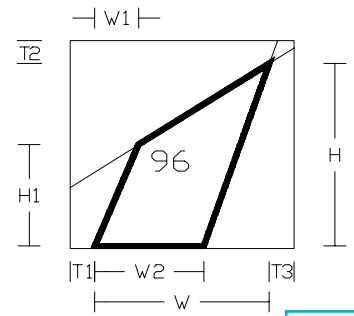
$W1 > 0$   
 $W2 > 0$   
 $W > W1$   
 $W > W2$   
 $H \geq H1 > 0$

95



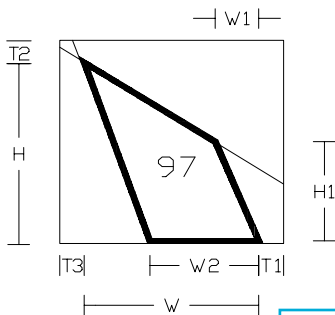
$W1 > 0$   
 $W2 > 0$   
 $W > W1$   
 $W > W2$   
 $H \geq H1 > 0$

96



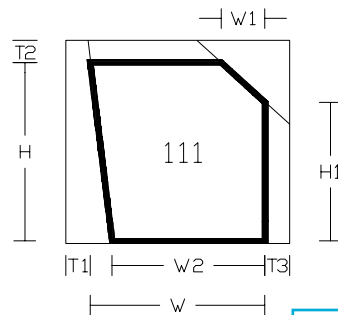
$W1 > 0$   
 $W2 > 0$   
 $W > W1$   
 $W > W2$   
 $H \geq H1 > 0$

97



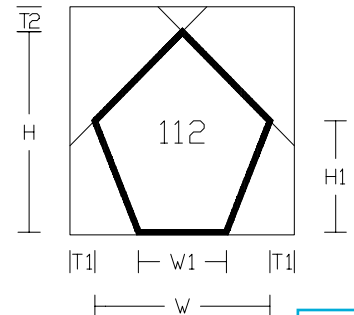
$W1 > 0$   
 $W2 > 0$   
 $W > W1$   
 $W > W2$   
 $H \geq H1 > 0$

111



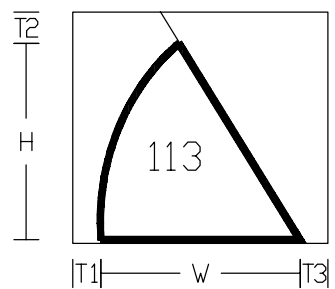
$W > W1$   
 $W \geq W2$   
 $W1 > 0$   
 $W2 > 0$   
 $H > H1 > 0$

112



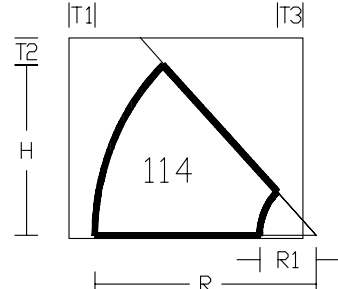
$W1 > 0$   
 $W \geq W1$   
 $H > H1 > 0$

113



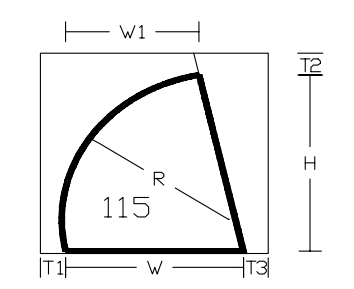
$H > 0$   
 $W \geq H$

114



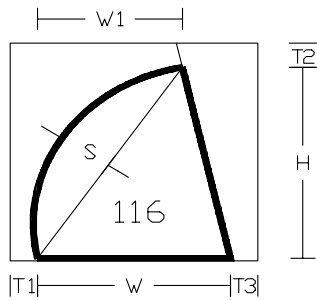
$R > R1 > 0$   
 $R \geq H$   
 $H > 0$

115



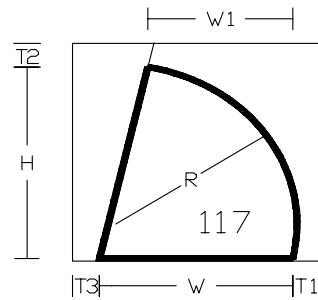
$W \geq W1 > 0$   
 $2R \geq \sqrt{W1^2 + H^2}$

116



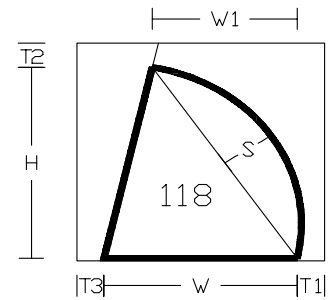
$$\begin{aligned} W &\geq W1 > 0 \\ S &> 0 \\ H &> 0 \\ 2S &\geq \sqrt{W1^2 + H^2} \end{aligned}$$

117



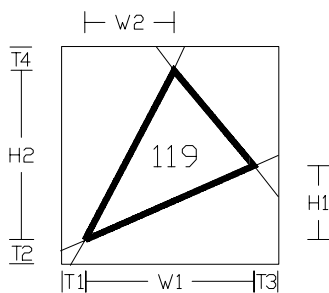
$$\begin{aligned} W &\geq W1 > 0 \\ 2R &\geq \sqrt{W1^2 + H^2} \\ H &> 0 \end{aligned}$$

118



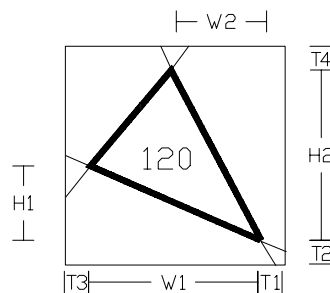
$$\begin{aligned} W &\geq W1 > 0 \\ S &\geq 0 \\ H &> 0 \\ 2S &\geq \sqrt{W1^2 + H^2} \end{aligned}$$

119



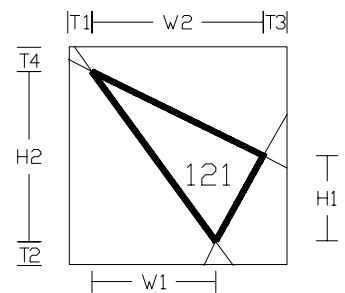
$$\begin{aligned} W1 &> 0 \\ H2 &> 0 \end{aligned}$$

120



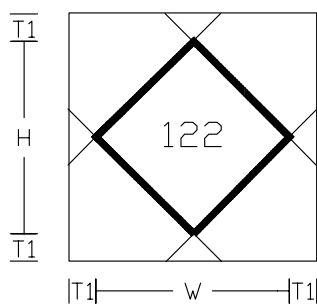
$$\begin{aligned} W1 &> 0 \\ H2 &> 0 \end{aligned}$$

121



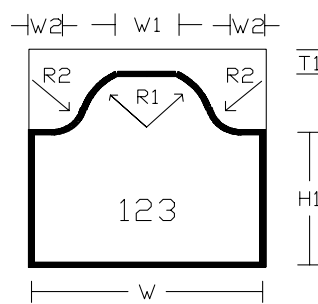
$$\begin{aligned} W1 &> 0 \\ W2 &\geq W1 \\ H1 &> 0 \\ H2 &> 0 \end{aligned}$$

122



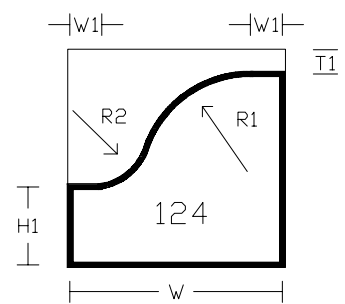
$$\begin{aligned} W &> 0 \\ H &> 0 \end{aligned}$$

123



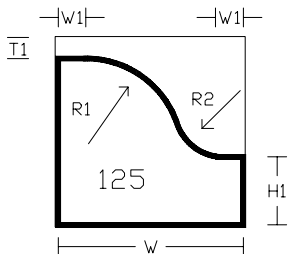
$$\begin{aligned} R2 + R1 &> \frac{W - W1 - 2*W2}{2} \\ R1 &> 0 \\ R2 &> 0 \\ W &> 0 \end{aligned}$$

124



$$\begin{aligned} R2 + R1 &\geq W - 2*W1 \\ R1 &> 0 \\ R2 &> 0 \\ W &> 0 \end{aligned}$$

125



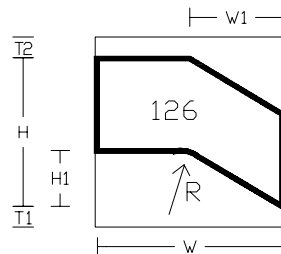
$$R2 + R1 \geq W - 2 * W1$$

$$R1 > 0$$

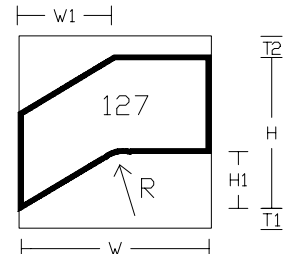
$$R2 > 0$$

$$W > 0$$

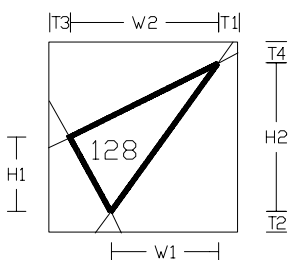
126



127



128



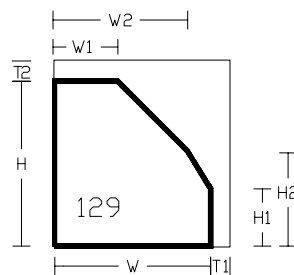
$$W1 > 0$$

$$W2 \geq W1$$

$$H1 > 0$$

$$H2 > 0$$

129



$$\frac{H - H1}{W - W1} > \frac{H - H2}{W2 - W1}$$

$$W1 > 0$$

$$W2 > W1$$

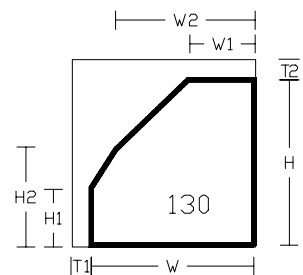
$$W > W2$$

$$H1 > 0$$

$$H2 > H1$$

$$H > H2$$

130



$$\frac{H - H1}{W - W1} > \frac{H - H2}{W2 - W1}$$

$$W1 > 0$$

$$W2 > W1$$

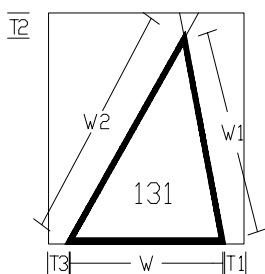
$$W > W2$$

$$H1 > 0$$

$$H2 > H1$$

$$H > H2$$

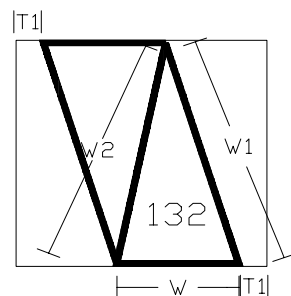
131



$$W1 \leq \sqrt{W^2 + W2^2}$$

$$2S \geq \sqrt{W^2 + W1^2}$$

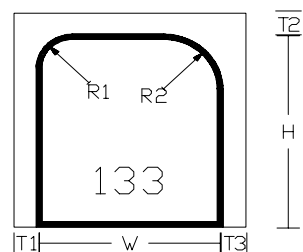
132



$$W1 \leq \sqrt{W^2 + W2^2}$$

$$2S \geq \sqrt{W^2 + W1^2}$$

133



$$R1 \leq H$$

$$R2 \leq H$$

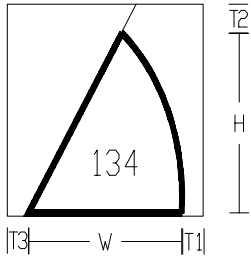
$$R1 + R2 \leq W$$

$$R1 > 0$$

$$R2 > 0$$

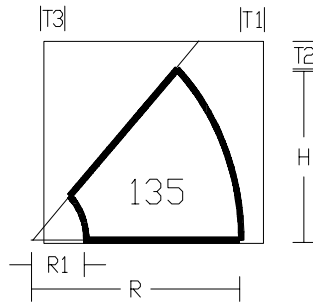
$$W > 0$$

134



$H > 0$   
 $W \geq H$

135



$R > R1 > 0$   
 $R \geq H$   
 $H > 0$

136

